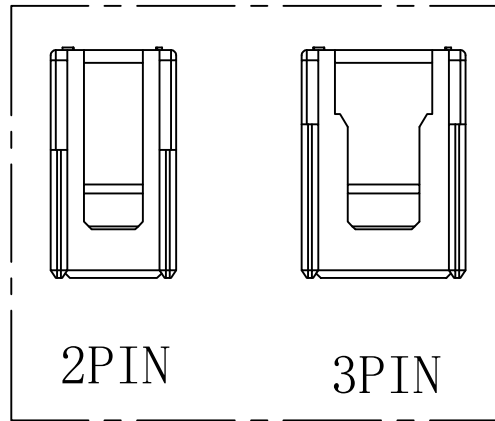
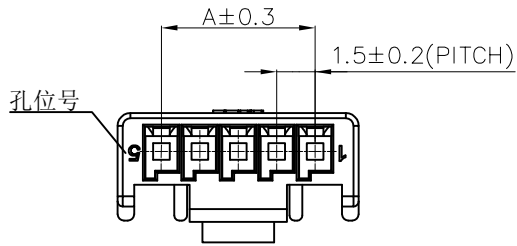
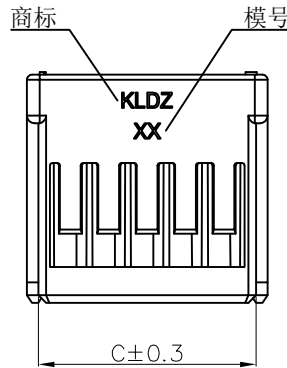
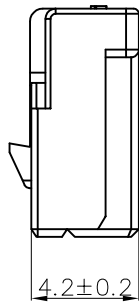
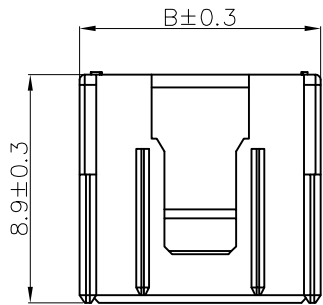


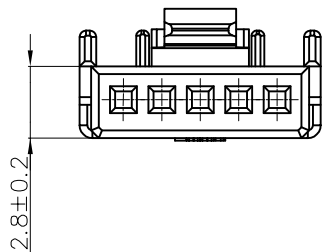
REV.	ECN NO	DESCRIPTION	REVISED	DATE



Specifications/技术规格:
 Current Rating: 1A (AWG#28)
 额定电流: 1A (AWG#28)
 Current Voltage: 50V AC, DC
 额定电压: 50V AC, DC
 Insulation Resistance: 500MΩ Min.
 绝缘电阻: 最小500MΩ
 Dielectric Withstanding: 500V AC 1Min
 耐电压: 500V AC 1分钟
 Contact Resistance: 20mΩ Max.
 接触电阻: 最大20mΩ
 Operating Temperature: -25°C to +85°C
 工作温度: -25°C 到 +85°C



Materials/材料:
 Insulation Material: PBT UL94V-0
 绝缘体塑胶材料: PBT UL94V-0



孔数	ENG NO.	A	B	C
2	ZOM-2Y	/	5.0	4.0
3	ZOM-3Y	3.0	6.5	5.5
4	ZOM-4Y	4.5	8.0	7.0
5	ZOM-5Y	6.0	9.5	8.5

浙江快利电子有限公司
 ZheJiang KuaiLi Electronic Co., LTD.

GENERAL TOLERANCE	
X. ° : ±3°	X. : --
. X° : ±2°	X. X: ±0.30
. XX° : ±1°	X. XX: ±0.20
. XXX° ±0.5°	X. XXX: ±0.10

DESIGN: 张乐友 DATE: 2025.04.26
 CHECKED: 王子林 DATE: 2025.04.26
 APPROVED: 朱建华 DATE: 2025.04.26

DWG. NO.
 PART NO.
KL-ZOM-NY-B-06-W

TITLE.
ZOM-NY 胶壳

REV.	UNIT.	SCALE.	PAGE.	PROJ.
A1	mm	-	1/1	