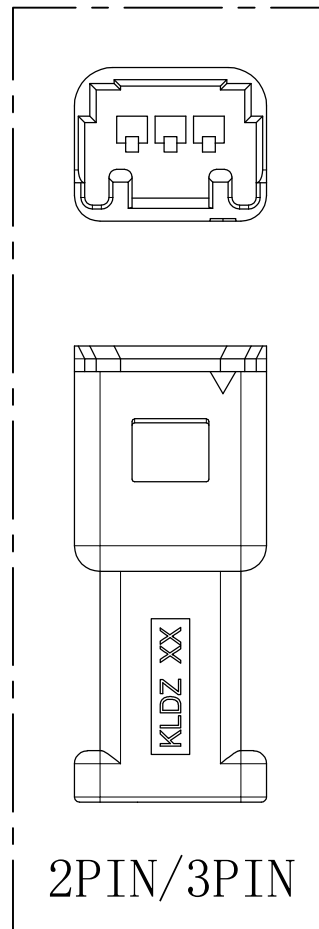
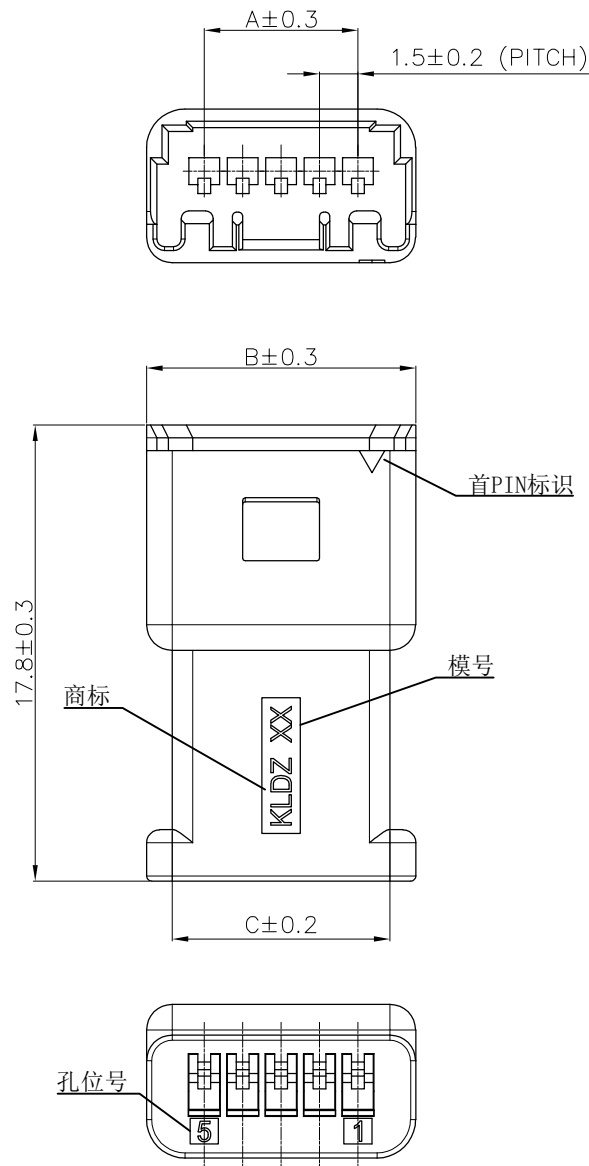


REV.	ECN NO	DESCRIPTION	REVISED	DATE

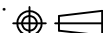


Specifications/技术规格:  
 Current Rating: 1A (AWG#28)  
 额定电流: 1A (AWG#28)  
 Current Voltage: 100V AC, DC  
 额定电压: 100V AC, DC  
 Insulation Resistance: 500MΩ Min.  
 绝缘电阻: 最小500MΩ  
 Dielectric Withstanding: 500V AC 1Min  
 耐电压: 500V AC 1分钟  
 Contact Resistance: 20mΩ Max.  
 接触电阻: 最大20mΩ  
 Operating Temperature: -25°C to +85°C  
 工作温度: -25°C 到 +85°C

Materials/材料:  
 Insulation Material: PBT UL94V-0  
 绝缘体塑胶材料: PBT UL94V-0

孔数	ENG NO.	A	B	C
2	ZOM-2AS	/	6.0	4.0
3	ZOM-3AS	3.0	7.5	5.5
4	ZOM-4AS	4.5	9.0	7.0
5	ZOM-5AS	6.0	10.5	8.5

 浙江快利电子有限公司  
 ZheJiang KuaiLi Electronic Co., LTD.

REV. A1	UNIT. mm	SCALE. -	PAGE. 1/1	PROJ. 
---------	----------	----------	-----------	-------------------------------------------------------------------------------------------

GENERAL TOLERANCE	
X. ° : ±3°	X. : --
. X. ° : ±2°	X. X. : ±0.30
. XX. ° : ±1°	X. XX. : ±0.20
. XXX. ° : ±0.5°	X. XXX. : ±0.10

DESIGN: 张乐友	DATE: 2025.04.26
CHECKED: 王子林	DATE: 2025.04.26
APPROVED: 朱建华	DATE: 2025.04.26

DWG. NO.	KL-ZOM-NAS-06-W
PART NO.	

TITLE.	ZOM-NAS 塑壳
--------	------------