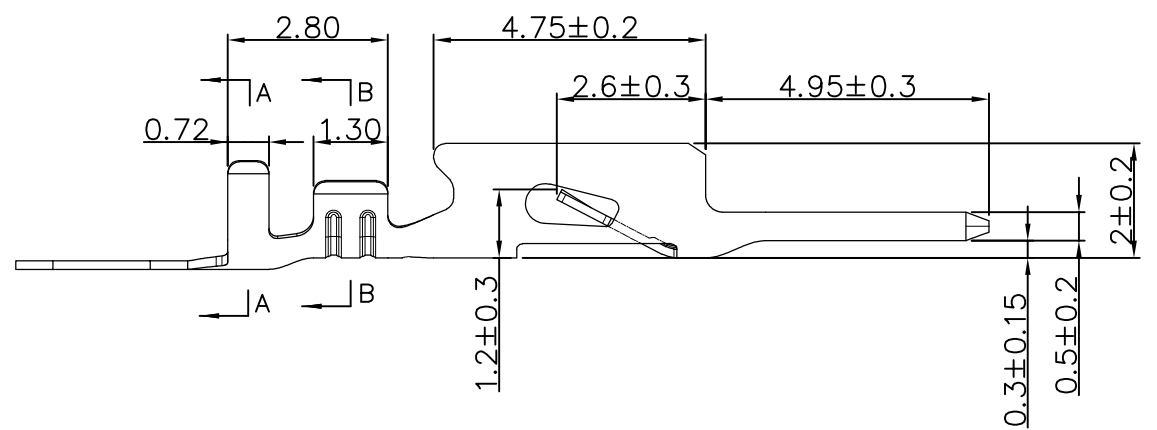
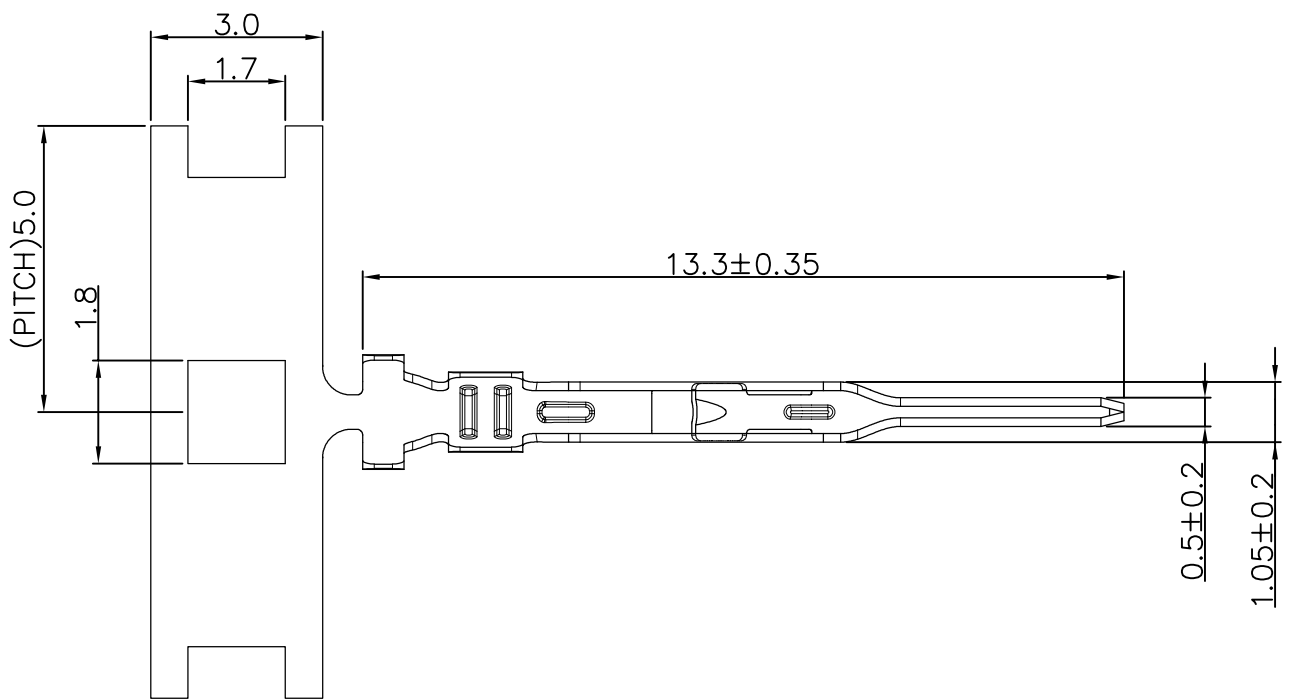
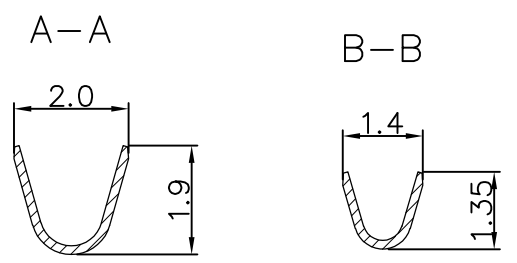


REV.	ECN NO	DESCRIPTION	REVISED	DATE
A		新订图面	LXM	23.12.19



- Specifications/技术规格:
- Current Rating: 1A (AWG28#)
额定电流: 1A (AWG28#)
 - Current Voltage: 100V AC,DC
额定电压: 100V AC,DC
 - Insulation Resistance: 500MΩ Min.
绝缘电阻: 最小500MΩ
 - Dielectric Withstanding: 500V AC 1Min
耐电压: 500V AC 1分钟
 - Contact Resistance: 20mΩ Max.
接触电阻: 最大20mΩ
 - Operating Temperature: -25°C to +85°C
工作温度: -25°C 到 +85°C

- Materials/材料:
- Contact Material: Phosphor Bronze(Tin plating)
接触端子材料: 磷铜(镀锡)
 - Recommended wire gauge: AWG30#-28#
推荐线规: AWG30#-28#



浙江快利电子有限公司
Zhejiang Kuaili Electronic Co., Ltd

GENERAL TOLERANCE	
X.* ± X.	.*** ± 0.10
.X* ± X.	.** ± 0.15
.XX* ± XX.	. * ± 0.25
.XXX* ± 0.5*	*. ± 0.35

DESIGN:	张乐友	DATE:	25.03.19
CHECKED:	朱继衡	DATE:	25.03.19
AUDITED:	王子林	DATE:	25.03.19
APPROVED:	朱建华	DATE:	25.03.19

DWG. NO.	
PART NO.	KL-ZOM-AT

TITLE.	ZOM-AT
--------	--------

REV.	A	UNIT.	MM	SCALE.	---	
------	---	-------	----	--------	-----	--