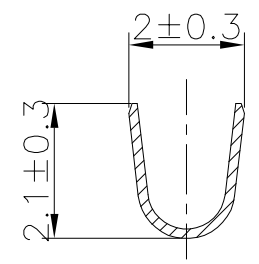
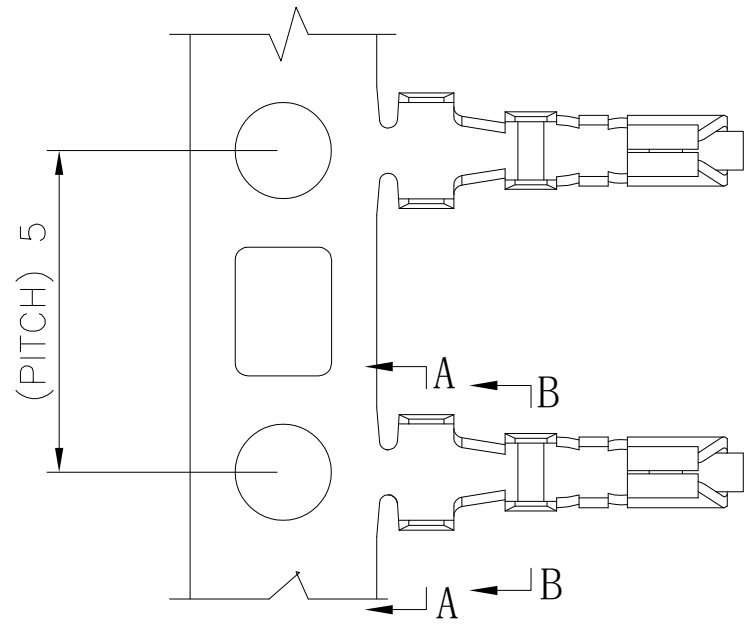
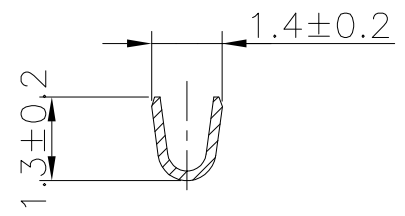


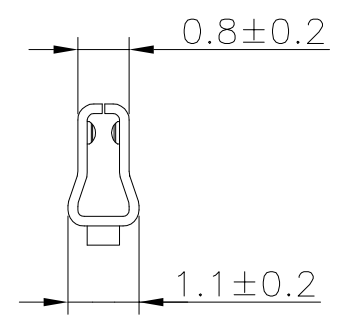
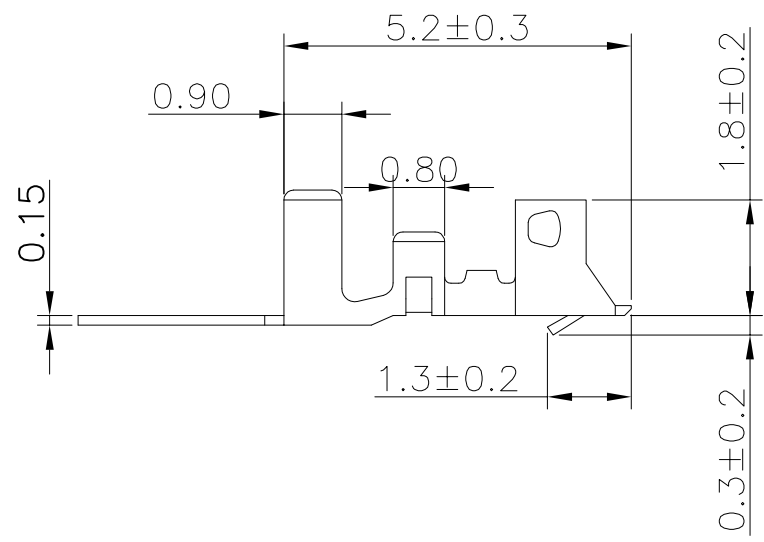
REV.	ECN NO	DESCRIPTION	REVISED	DATE



SECTION A-A



SECTION B-B



Specifications/技术规格:
 Current rating: 2.5A (AWG#24)
 额定电流: 2.5A (AWG#24)
 Voltage rating: 250V AC, DC
 额定电压: 250V AC, DC
 Insulation Resistance: 1000MΩ Min.
 绝缘电阻: 最小1000MΩ
 Withstanding voltage: 500V AC 1Min
 耐电压: 500V AC 1分钟
 Contact Resistance: 20mΩ Max
 接触电阻: 最大20mΩ
 Operating Temperature: -25°C to +85°C
 工作温度: -25°C 到 +85°C
Materials/材料:
 Insulation Material: Phosphor bronze
 绝缘体材质: 磷铜

浙江快利电子有限公司
 ZheJiang KuaiLi Electronic Co., LTD.

REV. A1	UNIT. mm	SCALE. -	PAGE. 1/1	PROJ.
---------	----------	----------	-----------	-------

GENERAL TOLERANCE	
X. ° : ±3°	X. : --
.X. ° : ±2°	X. X. : ±0.30
.XX. ° : ±1°	X. XX. : ±0.20
.XXX. ° : ±0.5°	X. XXX. : ±0.10

DESIGN: 张乐友 DATE: 2026.03.20
 CHECKED: 王子林 DATE: 2026.03.20
 APPROVED: 朱建华 DATE: 2026.03.20

DWG. NO. _____
 PART NO. _____

TITLE:
ZHG-TE