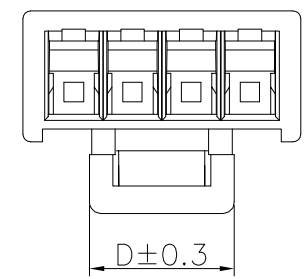
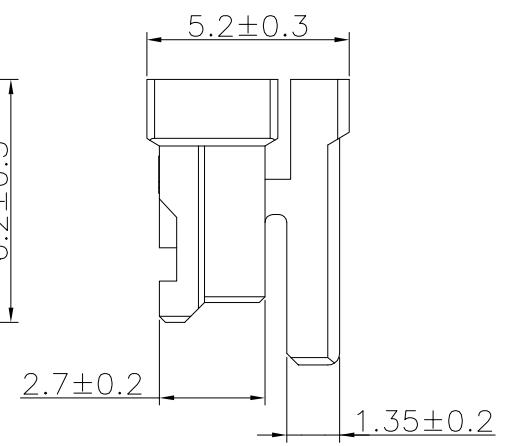
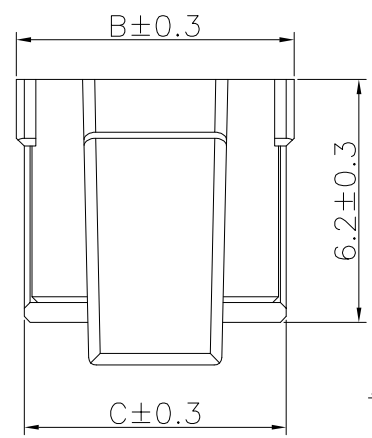
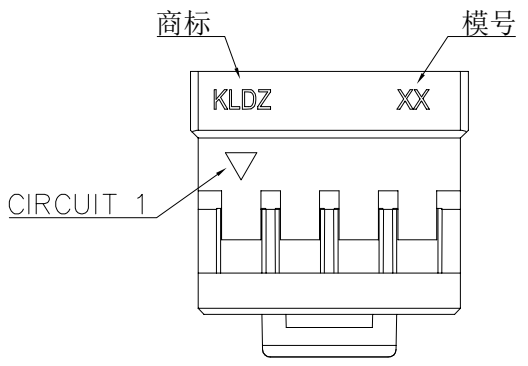
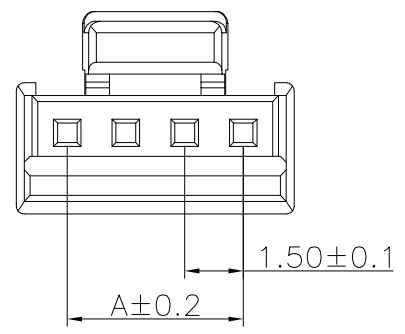


1 2 3 4 5 6 7 8 9

REV.	ECN NO	DESCRIPTION	REVISED	DATE



Specifications/技术规格:

Current rating: 2.5A (AWG#24)
 额定电流: 2.5A (AWG#24)
 Voltage rating: 250V AC, DC
 额定电压: 250V AC, DC
 Insulation Resistance: 1000MΩ Min.
 绝缘电阻: 最小1000MΩ
 Withstanding voltage: 500V AC 1Min
 耐电压: 500V AC 1分钟
 Contact Resistance: 20mΩ Max
 接触电阻: 最大20mΩ
 Operating Temperature: -25°C to +85°C
 工作温度: -25°C 到 +85°C
 Materials/材料:
 Insulation Material: PA UL94V-0
 绝缘体塑胶材质: PA UL94V-0

PIN 数	DIM			
	A	B	C	D
ZHG-2Y	1.50	4.10	3.70	2.60
ZHG-3Y	3.00	5.60	5.20	2.60
ZHG-4Y	4.50	7.10	6.70	3.70
ZHG-5Y	6.00	8.60	8.20	3.70
ZHG-6Y	7.50	10.10	9.70	3.70
ZHG-7Y	9.00	11.60	11.20	3.70
ZHG-8Y	10.50	13.10	12.70	5.70
ZHG-9Y	12.00	14.60	14.20	5.70
ZHG-10Y	13.50	16.10	15.70	5.70
ZHG-11Y	15.00	17.60	17.20	5.70
ZHG-12Y	16.50	19.10	18.70	5.70
ZHG-13Y	18.00	20.60	20.20	5.70
ZHG-14Y	19.50	22.10	21.70	5.70
ZHG-15Y	21.00	23.60	23.20	5.70

浙江快利电子有限公司
 ZheJiang KuaiLi Electronic Co., LTD.

GENERAL TOLERANCE	
X. ° : ±3°	X. : —
. X° : ±2°	X. X: ±0.30
. XX° : ±1°	X. XX: ±0.20
. XXX° ±0.5°	X. XXX: ±0.10

DESIGN: 张乐友
 CHECKED: 王子林
 APPROVED: 朱建华

DATE: 2026. 03. 20
 DATE: 2026. 03. 20
 DATE: 2026. 03. 20

DWG. NO.
 PART NO.

TITLE:
ZHG-NY

REV. A1	UNIT. mm	SCALE. -	PAGE. 1/1	PROJ.
---------	----------	----------	-----------	-------

1 2 3 4 5 6 7 8 9