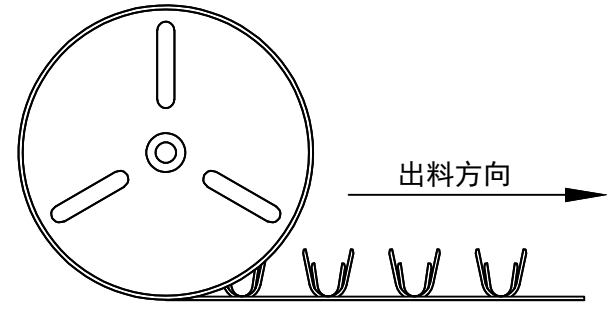
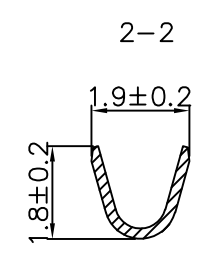
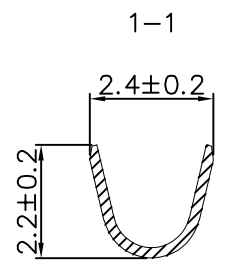
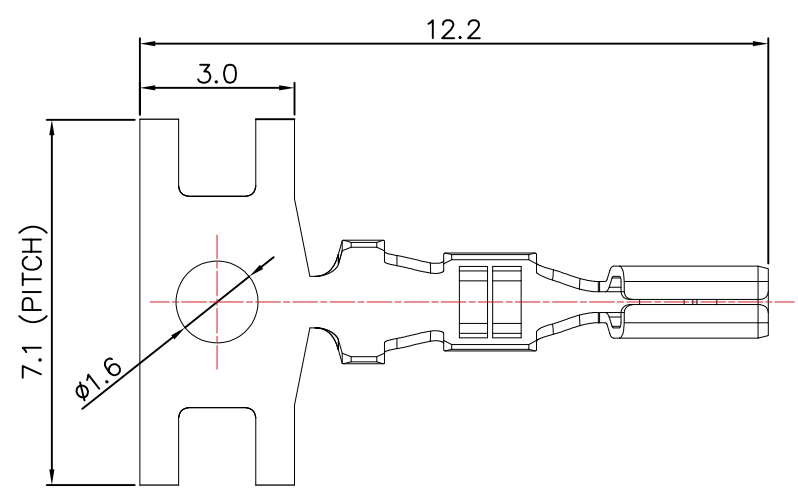
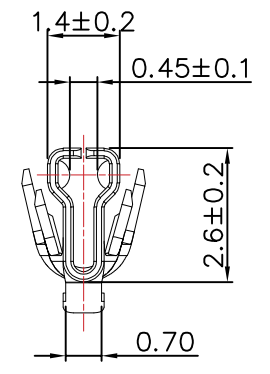
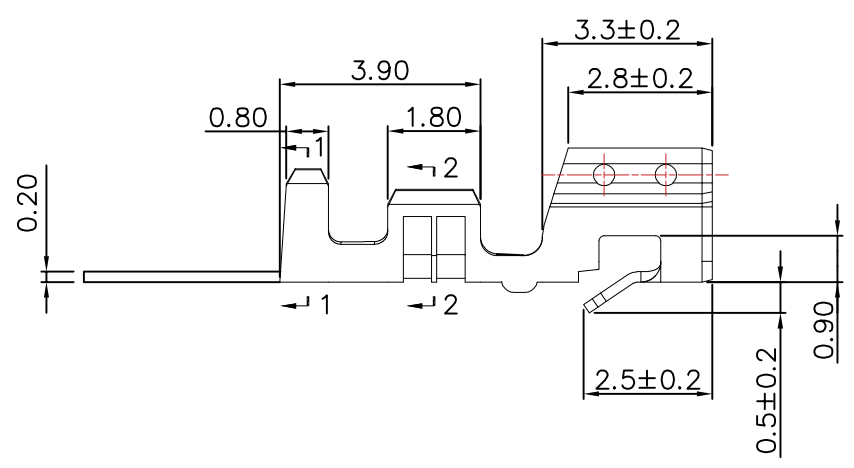


REV.	ECN NO	DESCRIPTION	REVISED	DATE



出料示意图
(料带朝内, 压线脚朝上)



Specifications / 技术规格:

- Current Rating: 3A(AWG22#)
额定电流: 3A(AWG22#)
- Insulation Resistance: 1000MΩ Min.
绝缘电阻: 最小1000MΩ
- Dielectric Withstanding: 1000V AC
耐电压: 1000V AC
- Contact Resistance: 20mΩ Max.
接触电阻: 最大20mΩ
- Operating Temperature: -25°C to +85°C
工作温度: -25°C 到 +85°C

Materials / 材料:

- Contact Material: Phosphor Bronze(Tin plating)
接触端子材料: 磷铜(镀锡)
- Recommended wire gauge: AWG28#-22#
推荐线规: AWG28#-22#

浙江快利电子有限公司
Zhejiang Kuaili Electronic Co., Ltd

REV. A UNIT. MM SCALE. ---

GENERAL TOLERANCE	
X. ± X.	.*** ± 0.10
.X ± X.	.** ± 0.15
.XX ± XX.	. * ± 0.25
.XXX ± 0.5	*. ± 0.35

DESIGN:	张乐友	DATE:	25.03.19
CHECKED:	朱继衡	DATE:	25.03.19
AUDITED:	王子林	DATE:	25.03.19
APPROVED:	朱建华	DATE:	25.03.19

DWG. NO.	KL-XH/MS-TE
PART NO.	

TITLE.	XH/MS-TE
--------	----------