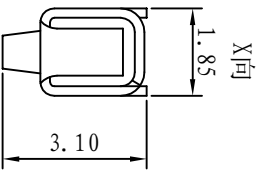
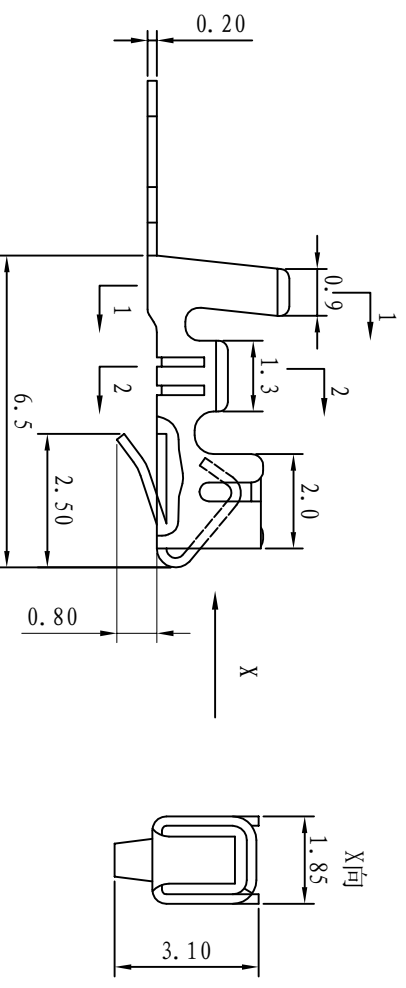
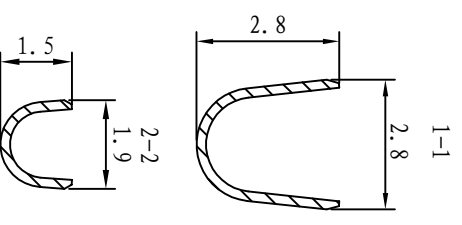
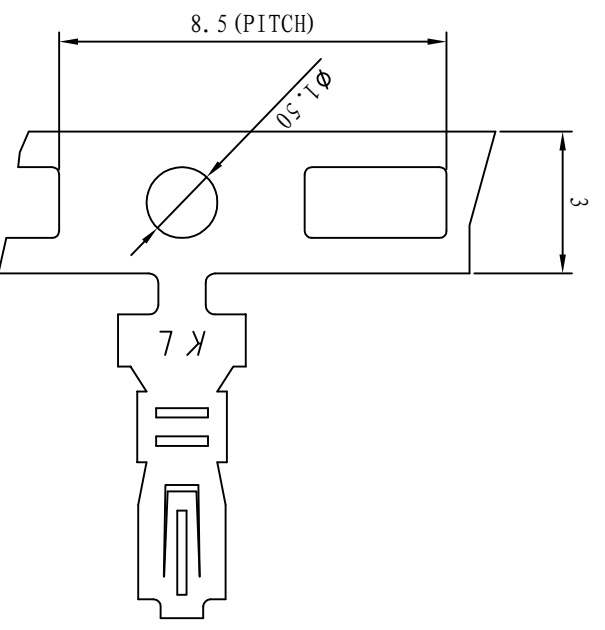


REV.	ECN NO.	DESCRIPTION	REVISED	DATE
A		新订图面	KEVIN	2015.3.7



Specifications / 技术规格:

- Current Rating: 3A
额定电流: 3A
- Insulation Resistance: 1000MΩ Min.
绝缘电阻: 最小1000MΩ
- Dielectric Withstanding: 1000V AC
耐电压: 1000V AC
- Contact Resistance: 20mΩ Max.
接触电阻: 最大20mΩ
- Operating Temperature: -25°C to +85°C
工作温度: -25°C 到 85°C
- Materials / 材料:
Contact Material: Phosphor Bronze(Tin plating)
接触端子材料: 磷铜(镀锡)

 浙江快利电子有限公司 Zhejiang Kuaili Electronic Co., LTD	REV. A	UNIT. mm	SCALE. -	PAGE. 1/1	PROJ.	GENERAL TOLERANCE X.: ± 3° X.: ± 0.35 X.: ± 2° X.X.: ± 0.25 .XX: ± 1° X.XX.: ± 0.15 .XXX: ± 0.5° X.XXX: ± 0.10		DESIGN: KEVIN CHECKED: 李晓明 APPROVED: 朱建华	DATE: 2015-03-07 DATE: 2015-03-07 DATE: 2015-03-07	DWG. NO. PART NO. KL-XH-TE-002	TITLE. XH-TE (19.8)
	A B C D E F 1 2 3 4 5 6 7 8 9										