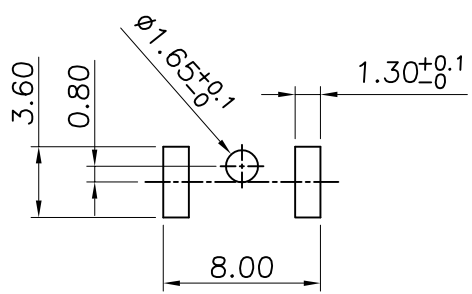
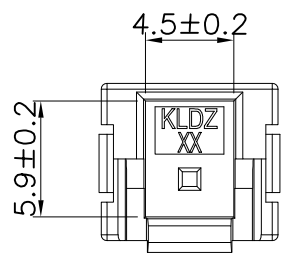


ROHS

REV.	ECN NO	DESCRIPTION	REVISED	DATE
A		新订图面	HELLER	



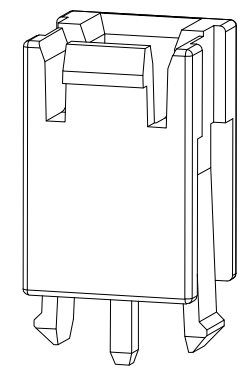
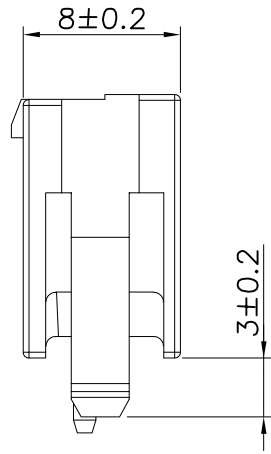
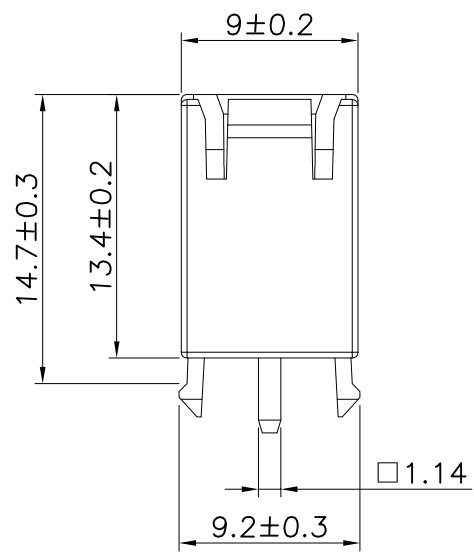
Recommended P.C.Board Hole Layout

Specifications / 技术规格:

Current rating: 7A (AWG18#)  
 额定电流: 7A (AWG18#)  
 Voltage rating: 250V AC,DC  
 额定电压: 250V AC, DC  
 Insulation Resistance: 1000MΩ Min.  
 绝缘电阻: 最小1000MΩ  
 Dielectric Withstanding: 1500V AC 1Min  
 耐电压: 1500V AC 1分钟  
 Contact Resistance: 20mΩ Max.  
 接触电阻: 最大20mΩ  
 Operating Temperature: -25°C to +85°C  
 工作温度: -25°C 到 +85°C

Materials / 材料:

Contact Material: Brass(Tin plated)  
 接触端子材料: 黄铜(镀锡)  
 Insulation Material: PA UL94V-0 Natural  
 绝缘塑胶材质: PA UL94 V-0 本色



 浙江快利电子有限公司  
 Zhejiang Kuaili Electronic Co., Ltd

GENERAL TOLERANCE	
X.* ± 3'	.XXX ±0.10
.X* ± 2'	.XX ±0.15
.XX* ± 1'	.X ±0.25
.XXX* ± 0.5'	X.* ±0.35

DESIGN:	张乐友	DATE:	2025.03.21
CHECKED:	朱继衡	DATE:	2025.03.21
AUDITED:	王子林	DATE:	2025.03.21
APPROVED:	朱建华	DATE:	2025.03.21

DWG. NO.	
PART NO.	KL-VH-H-1A

TITLE.	VH-H-1A 针座
--------	------------

REV.	UNIT.	SCALE.
A	MM	1:1

