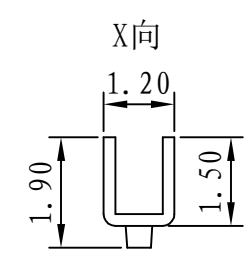
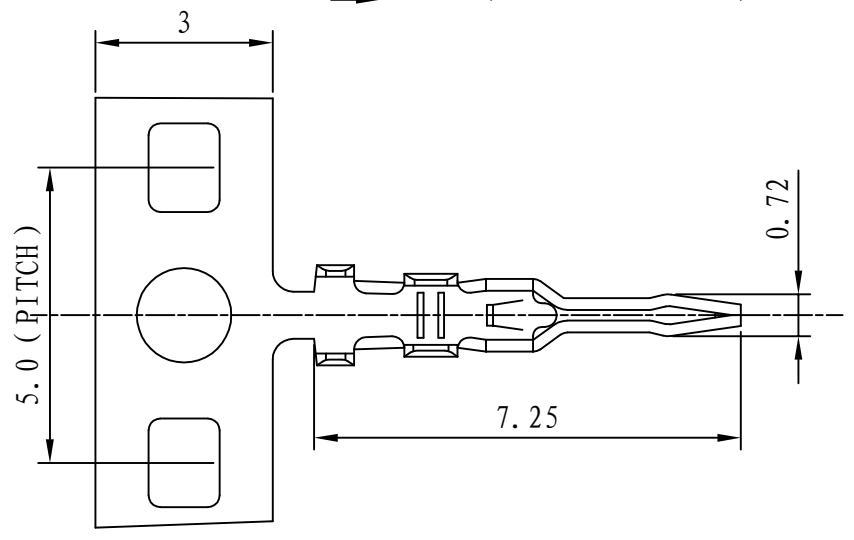
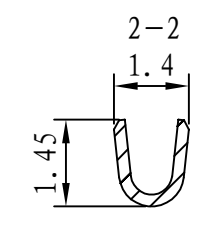
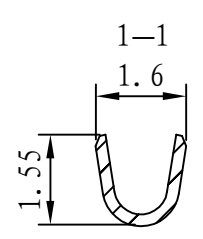
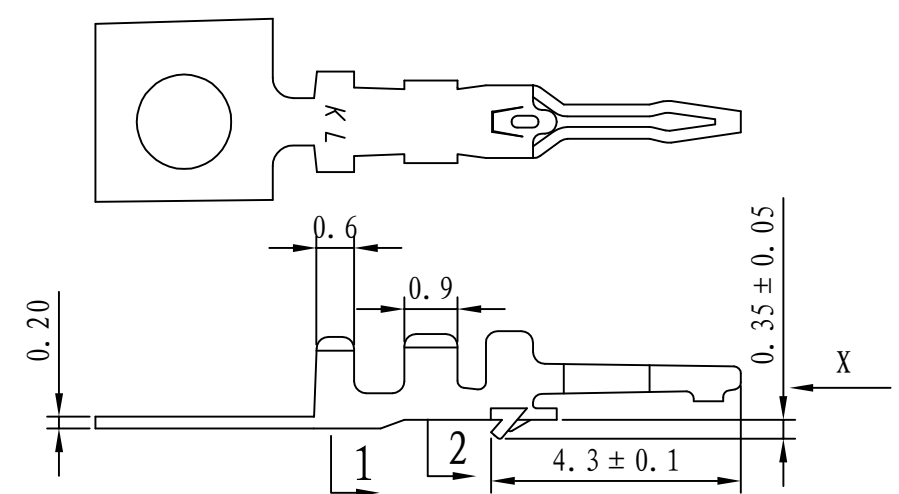


REV.	ECN NO	DESCRIPTION	REVISED	DATE
A		新订图面	KEVIN	14.10.18



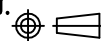
Specifications /技术规格:

Current Rating: 1A
 额定电流: 1A
 Insulation Resistance: 500MΩ Min.
 绝缘电阻: 最小500MΩ
 Dielectric Withstanding: 500V AC
 耐电压: 500V AC
 Contact Resistance: 20mΩ Max.
 接触电阻: 最大20mΩ
 Operating Temperature: -25°C to +85°C
 工作温度: -25°C 到 85°C

Materials /材料:

Contact Material: Phosphor Bronze(Tin plating)
 接触端子材料: 磷铜(镀锡)

 浙江快利电子有限公司
 ZheJiang KuaiLi Electronic Co., LTD.

REV. A	UNIT. mm	SCALE. -	PAGE. 1/1	PROJ. 
--------	----------	----------	-----------	-------------------------------------------------------------------------------------------

GENERAL TOLERANCE	
X.: ± 3°	X.: ± 0.35
.X: ± 2°	X.X: ± 0.25
.XX: ± 1°	X.XX: ± 0.15
.XXX: ± 0.5°	X.XXX: ± 0.10

DESIGN: KEVIN	DATE: 2014-10-18
CHECKED: 李晓明	DATE: 2014-10-18
APPROVED: 朱建华	DATE: 2014-10-18

DWG. NO.	PART NO. KL-SZN-TE
TITLE.	
SZN-TE	

TITLE.	SZN-TE
--------	--------