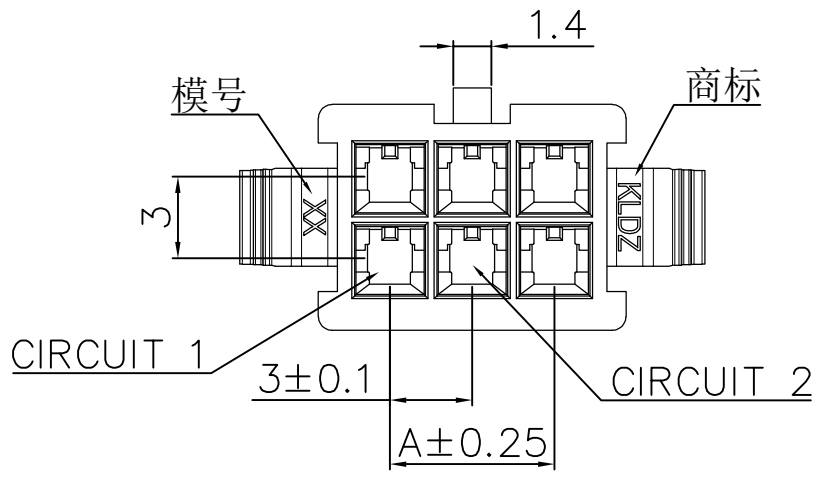
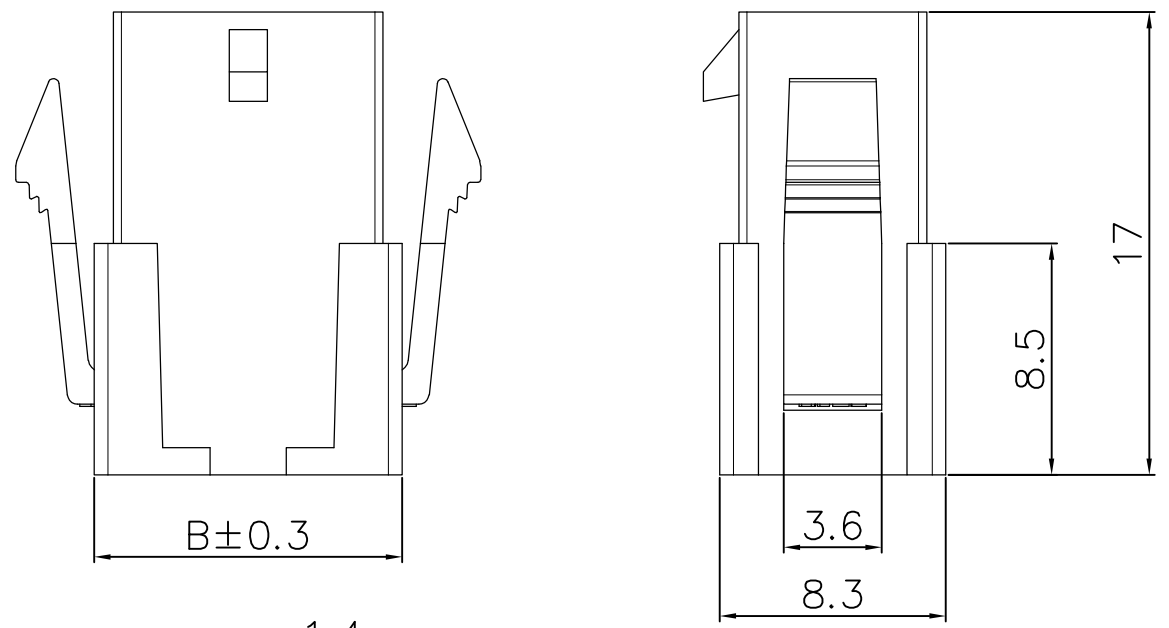


RoHS

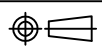
REV.	ECN NO	DESCRIPTION	REVISED	DATE
A		新订图面	KEVIN	2015.03.10

**Specifications/技术规格:**  
 Current rating: 3A (AWG#24)  
 额定电流: 3A (AWG#24)  
 Voltage rating: 250V AC, DC  
 额定电压: 250V AC, DC  
 Insulation Resistance: 1000MΩ Min.  
 绝缘电阻: 最小1000MΩ  
 Withstanding voltage: 1500V AC 1Min  
 耐电压: 1500V AC 1分钟  
 Contact Resistance: 20mΩ Max  
 接触电阻: 最大20mΩ  
 Operating Temperature: -25°C to +85°C  
 工作温度: -25°C 到 +85°C  
**Materials/材料:**  
 Insulation Material: PA or PBT UL94V-2/0  
 绝缘体塑胶材质: PA 或 PBT UL94V-2/0



POLES	DIM (mm)	
	A	B
2X1	/	5.3
2X2	3.0	8.3
2X3	6.0	11.3
2X4	9.0	14.3
2X5	12.0	17.3
2X6	15.0	20.3
2X7	18.0	23.3
2X8	21.0	26.3
2X9	24.0	29.3
2X10	27.0	32.3
2X11	30.0	35.3
2X12	33.0	38.3

 **浙江快利电子有限公司**  
 Zhejiang Kuaili Electronic Co., Ltd

REV.	A	UNIT.	MM	SCALE.	1:1	
------	---	-------	----	--------	-----	---

GENERAL TOLERANCE	
X. ° ± 3°	.XXX ± 0.15
.X ° ± 2°	.XX ± 0.25
.XX ° ± 1°	.X ± 0.30
.XXX ° ± 0.5°	X. ± 0.35

DESIGN:	王鑫	DATE:	2026.1.8
CHECKED:	朱继衡	DATE:	2026.1.8
AUDITED:	王子林	DATE:	2026.1.8
APPROVED:	朱建华	DATE:	2026.1.8

DWG. NO.	
PART NO.	KL-MX3.0-2×NAS

TITLE:  
**MX3.0-2×NAS**