

1 2 3 4 5 6 7 8 9

受控

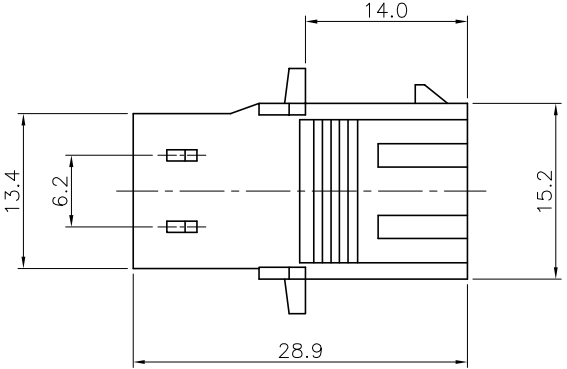
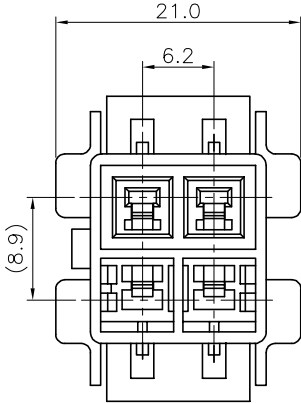
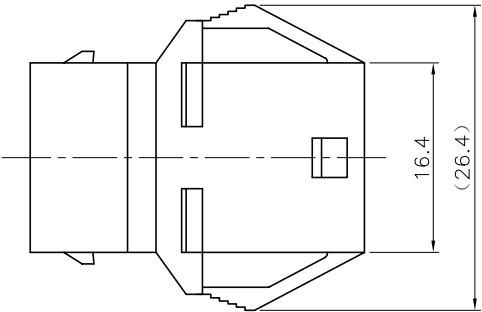
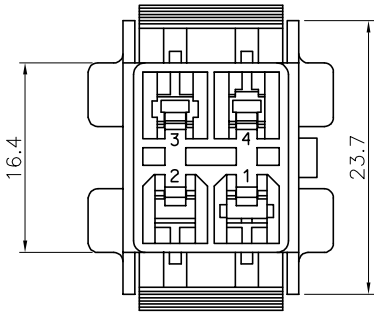
REV.	ECN NO	DESCRIPTION	REVISED	DATE
A		INITIAL RELEASE	HELLER	2019.8.16

Specifications / 技术规格:

Current rating: 7A
 额定电流: 7A
 Voltage rating: 300V AC,DC
 额定电压: 300V AC,DC
 Insulation Resistance: 100MΩ Min.
 绝缘电阻: 最小100MΩ
 Dielectric Withstanding: 1500V AC 1Min
 耐电压: 1500V AC 1分钟
 Contact Resistance: 10mΩ Max.
 接触电阻: 最大10mΩ
 Glow wire test: 750°C
 灼热丝试验: 750°C
 Operating Temperature: -25°C to +85°C
 工作温度: -25°C 到 85°C

Materials / 材料:
 Insulation Material: Nylon UL94V-0
 绝缘体塑胶材质: 尼龙 UL94V-0

ROHS



浙江快利电子有限公司
 Zhejiang Kuaili Electronic Co., Ltd

GENERAL TOLERANCE	
X* ± 3'	.XXX: --
.X* ± 2'	.XX : ±0.30
.XX* ± 1'	.X : ±0.30
.XXX* ± 0.5'	X. : --

DESIGN: HELLER	DATE: 2019-8-16
CHECKED: 朱建慧	DATE: 2019-8-16
APPROVED: 朱建华	DATE: 2019-8-16

DWG. NO.	35150-0419
PART NO.	

TITLE:
 6.2 PITCH W/W MALE HOUSING-4P (EAR)

REV.	UNIT.	SCALE.	
A	MM	1:1	

1 2 3 4 5 6 7 8 9